

KYN28A-12

铠装中置式金属封闭开关设备 Metalclad movable switchgear

吾心求索·通享未来

得益于多年的电气产品研发和制造经验，索通电气为您提供结合了先进技术和卓越工程设计的高压开关设备；系列产品符合智能化、安全性和可靠性要求最严苛的标准。该系列能为公共配电、工业和楼宇领域提供极具成本效益的解决方案，提高竞争力。



节能型
Energy Saving



智能化
Intellectualization



易维护
Easy Maintenance



安全性
Safety

KYN28A-12
 铠装中置式金属封闭开关设备
 Metalclad movable switchgear



产品概述 General

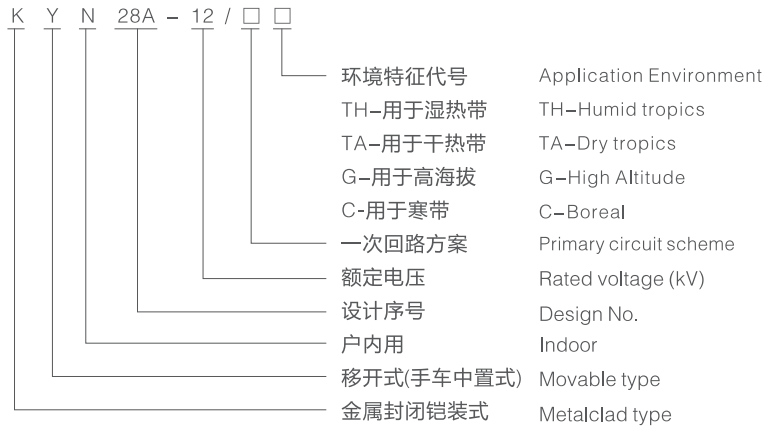
KYN28A-12(GZS1-12)型户内交流金属铠装中置式开关设备。它适用于三相交流额定电压12kV，额定频率50Hz电力系统，用于接受和分配电能并对电路实行控制、保护及监测。

本产品符合GB3906《3~35kV交流金属封闭开关设备》、GB/T11022《高压开关设备和控制设备标准的共用技术要求》、IEC60298, IEC62271-200《额定电压1KV以上52KV及以下交流金属外壳开关设备和控制设备》、DL/T404《户内交流高压开关柜订货技术条件》标准的要求。

KYN28A-12(GZS1-12) metalclad movable switchgear is suitable for operating in the power system of three phases, rated voltage 12KV, rated frequency 50Hz, to receive and distribute electricity and control, protect, and monitor the line. Complied standards:

Comply with GB3906 AC metal-enclosed switchgear and controlgear for rated voltages above 3 kV and up to and including 35 kV, GB/T11022 Common specifications for high-voltage switchgear and controlgear, IEC60298, IEC62271-200 AC metal-enclosed switchgear and controlgear for rated voltage above 1 kV and up to and including 52 kV, DL/T404 Purchase technical specifications for indoor AC high voltage switchgear standard.

型号及含义 Model and meaning



KYN28A-12

铠装中置式金属封闭开关设备
Metalclad movable switchgear



正常使用条件 Normal service conditions

- 环境温度：最高温度+40℃，最低温度-15℃(特殊工艺下，可达-45℃)；
- 环境湿度：日平均≤95%，月平均值≤90%；
- 海拔高度不超过2500m(特殊工艺下，可达4000m)；
- 抗地震度；地震烈度不超过8度；
- 周围空气应不含腐蚀性或可燃气体、水蒸气等明显污染；
- 无严重污秽及经常性的剧烈振动，严酷条件下严酷度设计满足1类要求；
- 注：超出上述正常使用条件时，用户可与制造厂协商确定。
- Ambient air temperature:
Maximum air temperature: +40℃,
Minimum air temperature: -15℃ (Under a special process, up to -45 °C);
- Altitude: ≤ 2500m(Under a special process, up to 4000m);
- Humidity: Daily average value of relative humidity: ≤95%
- Monthly average value of relative humidity: ≤90%
- Earthquake grade less than Degree 8
- The ambient air is not significantly polluted by dust, smoke, corrosive and/or flammable gases, vapours or salt.
- No serious contamination and severe vibration recurrent, severe degree designed to meet the harsh conditions of Class 1 requirements;
- Notes: If the operating conditions exceed the normal conditions, please contact our technical department.

主要技术参数 Technical specifications

开关设备技术参数 Main technical data of the switchgear					
名称 Description	单位 Unit	参数 Specifications			
额定电压 Rated voltage	kV	3.6, 7.2, 12			
额定频率 Rated frequency	Hz	50			
断路器额定电流 Breaker rated current	A	630, 1250, 1600, 2000, 2500, 3150			
开关柜额定电流 Switchgear rated current	A	630, 1250, 1600, 2000, 2500, 3150			
额定动稳定电流(4s) 4s Short-time withstand current (rms)	kA	16, 20, 25, 31.5, 40, 50			
额定稳定电流(峰值) Rated peak withstand current (peak)	kA	40, 50, 63, 80, 100, 125			
额定短路开断电流 Rated short-circuit breaking current	kA	16, 20, 25, 31.5, 40, 50			
额定短路关合电流(峰值) Rated short-circuit making current	kA	40, 50, 63, 80, 100, 125			
额定绝缘水平 Rated insulation level	1min工频耐受电压 Rated power frequency withstand voltage(1min)	kV	24	32	42
	雷冲击耐受电压 Rated lightning impulse withstand voltage	kV	40	60	75
防护等级 Degree of protection			外壳IP4X、隔离间、断路器 室门打开时为IP2X Enclosure IP 4X, Between compartments or CB door open IP2X		

主要技术参数 Technical specifications

VD4、VS1-12真空断路器技术参数 Main technical data of the VD4, VS-12 vacuum circuit breaker			
名称 Description	单位 Unit	参数 Specifications	
额定电压 Rated voltage	kV	12	
额定频率 Rated current	Hz	50	
断路器额定电流 Breaker rated current	A	630,1250,1600,2000,2500,3150	
额定动稳定电流(4s) 4s Short-time withstand current (rms)	kA	16,20,25,31.5,40,50	
额定稳定电流(峰值) Rated peak withstand current (peak)	kA	40,50,63,80,100,125	
额定短路开断电流 Rated short-circuit breaking current	kA	16,20,25,31.5,40,50	
额定短路关合电流(峰值) Rated short-circuit making current	kA	40,50,63,80,100,125	
额定绝缘水平 Rated insulation level	1min工频耐受电压 Rated power frequency withstand voltage(1min)	kV	42
	雷冲击耐受电压 Rated lightning impulse withstand voltage	kV	75
额定操作顺序 Rated operating sequences		分-0.3s-合分-180s-合分	
额定短路开断电流开断次数 Rated short-circuit breaking current and times	次times	50	
机械寿命 Mechanical endurance	次times	20000	

结构特点 Structural features

开关设备按GB3906-2012, IEC62271-200:2012中的铠装金属封闭开关设备而设计。整体是由柜体和中置式可抽出部件(即手车)两大部分组成(见图1)。柜体分四个单独的隔室,外壳防护等级为IP4X,各小室间和断路器室门打开时等级为IP2X。具有架空进出线、电缆进出线及其它功能方案,经排列、组合后形成一套完整的配电系统装置。本开关设备可以从正面进行安装、调试和维护,因此它可以背靠背、组成双重排列和靠墙安装,提高了开关设备的安全性、灵活性、减少了占地面积。

This switchgear is designed according to GB3906-2012, IEC62271-200:2012 standard "Metal-clad enclosed switchgear and controlgear", the switchgear constructed of body and middle draw-out trolley, as Picture 1. The switchgear body consists of four separate compartments, the outer protective grade is IP4X. If the door of each small compartment or breaker compartment is opened, its protective grade is IP2X. It can provide overhead line or cable incoming/outgoing and other arrangements, it can form different schedule by the combination of the switchgears. This switchgear can be installed, commissioned and maintained from the front, consequently the switchgears can be back to back installed/stand in two rows, or installed close to wall, which can improve the safety, flexibility, save occupied space.

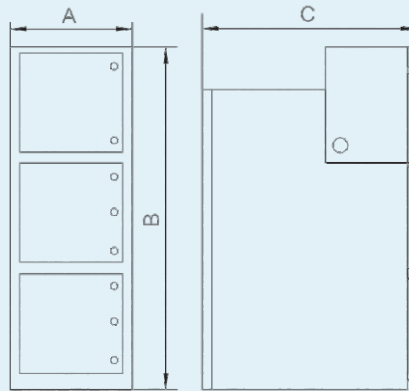
KYN28A-12

铠装中置式金属封闭开关设备
Metalclad movable switchgear



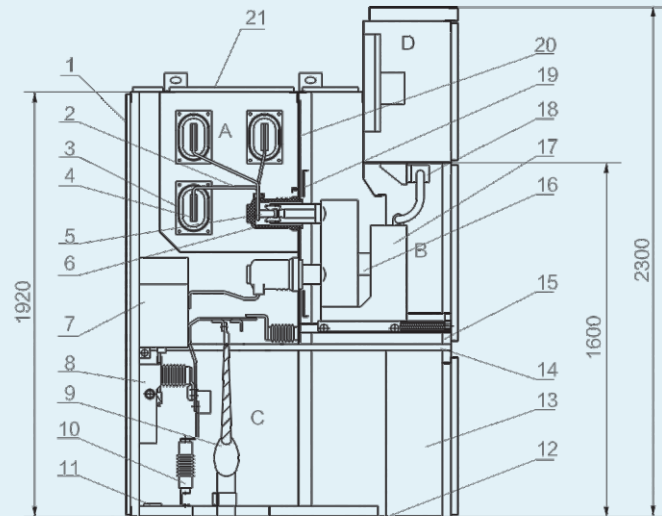
结构及尺寸 Structure and Dimensions

KYN28A-12(Z)(GZS1) 开关设备外形尺寸 KYN28A-12(Z)(GZS1) Switchgear layout dimensions



高度B (mm)	2300	
宽度A(mm)	分支母线额定电流 ≤ 1250, 热稳定电流 ≤ 31.5kA	650
	分支母线额定电流 ≤ 1250, 热稳定电流 ≤ 40kA	800
	分支母线额定电流 ≥ 1600	1000
深度C(mm)	电缆出线	1500
	架空进出线	1660
HeightB(mm)	2300	
Width A(mm)	Rated current of branch bus ≤ 1250A, heat stable current ≤ 31.5kA	650
	Rated current of branch bus ≤ 1250A, heat stable current ≤ 40kA	800
	Rated current branch bus ≥ 1600A	1000
Depth C(mm)	Cable outgoing feeder	1500
	Overhead incoming and outgoing feeder	1660

KYN28A-12(Z)(GZS1) 开关设备结构图 KYN28A-12(Z)(GZS1) Structure diagram

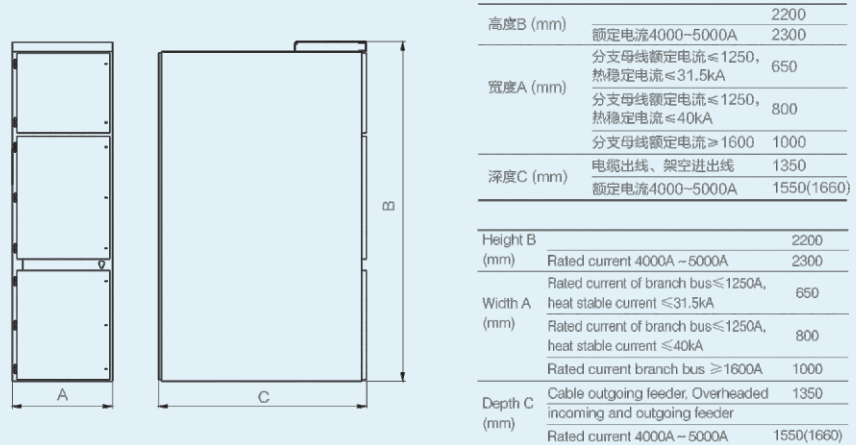


A. 母线室 B. 断路器手车室 C. 电缆室 D. 继电器仪表室
A. Busbar compartment B. Circuit breaker trolley compartment C. Cable compartment D. Relay instrument compartment

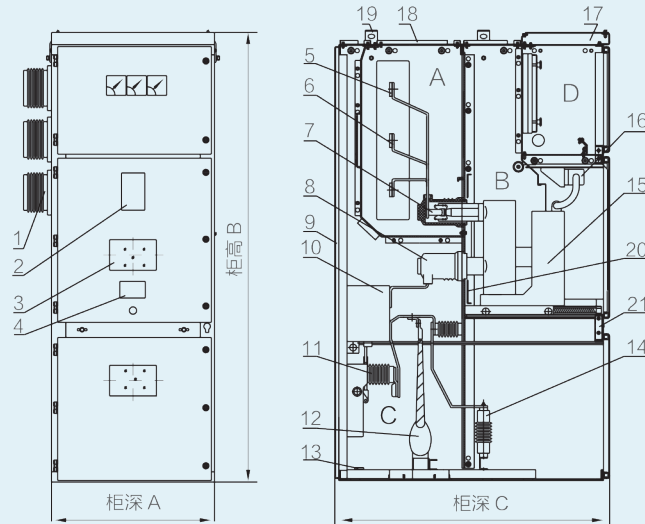
- | | | | |
|----------------------------|--------------------------|-------------------------------|--------------------------------|
| 1. 外壳 | 7. 电流互感器 | 13. 控制小母线 | 19. 隔板 (活门) |
| 2. 分支小母线 | 8. 接地开关 | 14. 接地开关操作机构 | 20. 装卸式隔板 |
| 3. 母线套管 | 9. 电缆 | 15. 可抽出式水平隔板 | 21. 泄压通道 |
| 4. 主母线 | 10. 避雷器 | 16. 加热装置 | |
| 5. 静触头装置 | 11. 接地主母线 | 17. 断路器手车 | |
| 6. 触头盒 | 12. 底板 | 18. 二次插头 | |
| 1. Shell | 7. CT | 13. Control mini bus | 19. Board (valve) |
| 2. Small branch bus | 8. Earthing switch | 14. Earthing switch operation | 20. Detachable partition |
| 3. Bus bushing | 9. Cable | 15. Withdrawable level board | 21. Pressure releasing channel |
| 4. Main bus | 10. Surge arrester | 16. Heating device | |
| 5. Static contact assembly | 11. Earthing main busbar | 17. Circuit breaker handcart | |
| 6. Contact box | 12. Base board | 18. Secondary Plug | |

结构及尺寸 Structure and Dimensions

KYN28A-12(Z)(NB)开关设备外形尺寸 KYN28A-12(Z)(NB) Switchgear layout dimensions



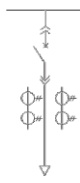

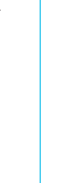


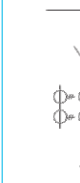
KYN28A-12(Z)(NB)开关设备(3150A以下)结构图 KYN28A-12(Z)(NB) Switchgear structure diagram









A. 母线室 B. 断路器手车室 C. 电缆室 D. 继电器仪表室
 A. Busbar compartment B. Circuit breaker trolley compartment C. Cable compartment D. Relay instrument compartment

- | | | | |
|---|---------------------|---------------------------------------|---------------------------------------|
| 1. 母线套管 | 7. 静触头 | 13. 主接地母线 | 19. 吊环 |
| 2. 模拟母线圈 | 8. 触头盒 | 14. 避雷器 | 20. 隔板 (活门机构) |
| 3. 手车室观察窗 | 9. 后封板 | 15. 断路器手车 | 21. 可抽出式水平隔板 |
| 4. 铭牌 | 10. 电流互感器 | 16. 航空插件 | |
| 5. 主母线 | 11. 接地开关 | 17. 二次小母线室 | |
| 6. 分支母线 | 12. 电缆 | 18. 泄压盖板 | |
| 1. Busbushing | 7. Static contact | 13. Main earthing bus | 19. Lifting ring |
| 2. Simulate buswinding | 8. Contact box | 14. Arrester | 20. Partition |
| 3. View window of the trolley compartment | 9. Rear plate | 15. Trolley | 21. Withdrawable horizontal partition |
| 4. Nameplate | 11. Earthing switch | 16. Air plug | |
| 5. Main bus | 12. Cable | 17. Secondary mini busbar compartment | |
| 6. Branch bus | | 18. Pressure releasing plate | |

一次线路方案 Typical primary schemes

方案号 No.		01	02	03	04	05	06
一次接线方案 Primary circuit scheme							
柜体尺寸(W×D×H) Dimension		800 1000×1500×2300	800 1000×1500×2300	800 1000×1500×2300	800 1000×1500×2300	800 1000×1500×2300	800 1000×1500×2300
额定电流(A) Rated Current		630~3150					
一次主要设备元件 Main components	真空断路器(VD4或VS1) Vacuum Circuit Breaker	1	1	1	1	1	1
	电流互感器LZZBJ9-12 Current transformer	2	2	2	3	3	3
	电压互感器 Voltage transformer						
	高压熔断器XRNP-10 High-voltage fuses						
	接地开关JN15 Earthing switch		1	1		1	1
	避雷器HY5W□-17/50 Surge arrester			3			3
回路名称 Circuit name	受电、馈电 Receiving, feeding						
备注 Remarks	额定电流1600A及以上, 则柜宽为1000mm。额定电流为1250A以下的断路器柜, 柜宽可为650mm。 Panel width is 1000mm for rated current ≥ 1600A, Panel width is 650mm for rated current ≤ 1250A						

方案号 No.		07	08	09	10	11	12
一次接线方案 Primary circuit scheme							
柜体尺寸(W×D×H) Dimension		800 1000×1500×2300	800 1000×1500×2300	800 1000×1500×2300	800 1000×1500×2300	800 1000×1500×2300	800 1000×1500×2300
额定电流(A) Rated Current		630~3150					
一次主要设备元件 Main components	真空断路器(VD4或VS1) Vacuum Circuit Breaker	1	1	1	1	1	1
	电流互感器LZZBJ9-12 Current transformer	2	2	2	2	3	3
	电压互感器 Voltage transformer						
	高压熔断器XRNP-10 High-voltage fuses						
	接地开关JN15 Earthing switch		1		1		1
	避雷器HY5W□-17/50 Surge arrester						
回路名称 Circuit name	联络(右) Communicating(right)		联络(左) Communicating(left)			联络(右) Communicating(right)	
备注 Remarks	额定电流1600A及以上, 则柜宽为1000mm。额定电流为1250A以下的断路器柜, 柜宽可为650mm。 Panel width is 1000mm for rated current ≥ 1600A, Panel width is 650mm for rated current ≤ 1250A						

一次线路方案 Typical primary schemes

方案号 No.		13	14	15	16	17	18
一次接线方案 Primary circuit scheme							
柜体尺寸(W×D×H) Dimension		800 1000×1500×2300	800 1000×1500×2300	800 1000×1500×2300	800 1000×1500×2300	800 1000×1500×2300	800 1000×1500×2300
额定电流(A) Rated Current		630~3150					
一次主要设备元件 Main components	真空断路器(VD4或VS1) Vacuum Circuit Breaker	1	1	1	1	1	1
	电流互感器LZZBJ9-12 Current transformer	3	3	2	2	2	2
	电压互感器 Voltage transformer						
	高压熔断器XRNP-10 High-voltage fuses						
	接地开关JN15 Earthing switch		1		1		1
	避雷器HY5W□-17/50 Surge arrester						
回路名称 Circuit name	联络(左) Communicating(left)		架空进线(左联络) Overhead incoming feeder (left communicating)		架空进线(右联络) Overhead incoming feeder (right communicating)		
备注 Remarks	额定电流1600A及以上, 则柜宽为1000mm。额定电流为1250A以下的断路器柜, 柜宽可为650mm。 Panel width is 1000mm for rated current ≥ 1600A, Panel width is 650mm for rated current ≤ 1250A						

方案号 No.		19	20	21	22	23	24
一次接线方案 Primary circuit scheme							
柜体尺寸(W×D×H) Dimension		800 1000×1500×2300	800 1000×1500×2300	800 1000×1500×2300	800 1000×1500×2300	800 1000×1500×2300	800 1000×1500×2300
额定电流(A) Rated Current		630~3150					
一次主要设备元件 Main components	真空断路器(VD4或VS1) Vacuum Circuit Breaker	1	1	1	1	1	1
	电流互感器LZZBJ9-12 Current transformer	3	3	3	3	2	2
	电压互感器 Voltage transformer						
	高压熔断器XRNP-10 High-voltage fuses						
	接地开关JN15 Earthing switch		1		1		1
	避雷器HY5W□-17/50 Surge arrester						
回路名称 loop	架空进线(左联络) Overhead incoming feeder (left communicating)		架空进线(右联络) Overhead incoming feeder (right communicating)		架空进出线 Overhead incoming/outgoing feeder		
备注 Circuit name	额定电流1600A及以上, 则柜宽为1000mm。额定电流为1250A以下的断路器柜, 柜宽可为650mm。 Panel width is 1000mm for rated current ≥ 1600A, Panel width is 650mm for rated current ≤ 1250A						

一次线路方案 Typical primary schemes

方案号 No.	25	26	27	28	29	30	
一次接线方案 Primary circuit scheme							
柜体尺寸(W×D×H) Dimension	800 1000×1500×2300	800 1000×1500×2300	800 1000×1500×2300	800 1000×1500×2300	800 1000×1500×2300	800 1000×1500×2300	
额定电流(A) Rated Current	630~3150						
一次主要设备元件 Main components	真空断路器(VD4或VS1) Vacuum Circuit Breaker	1	1	1	1	1	
	电流互感器LZZBJ9-12 Current transformer	2	3	3	3	2	
	电压互感器 Voltage transformer					RZL-10 2	RZL-10 2
	高压熔断器XRNP-10 High-voltage fuses					3	3
	接地开关JN15 Earthing switch	1		1	1		1
	避雷器HY5W□-17/50 Surge arrester	3			3		
回路名称 loop	架空进出线 Overhead incoming/outgoing feeder				电缆进线+PT PT & cable incoming feeder		
备注 Remarks	额定电流1600A及以上, 则柜宽为1000mm。额定电流为1250A以下的断路器柜, 柜宽可为650mm。 Panel width is 1000mm for rated current ≥ 1600A, Panel width is 650mm for rated current ≤ 1250A						

方案号 No.	31	32	33	34	35	36	
一次接线方案 Primary circuit scheme							
柜体尺寸(W×D×H) Dimension	800 1000×1500×2300	800 1000×1500×2300	800 1000×1500×2300	800 1000×1500×2300	800 1000×1500×2300	800 1000×1500×2300	
额定电流(A) Rated Current	630~3150						
一次主要设备元件 Main components	真空断路器(VD4或VS1) Vacuum Circuit Breaker	1	1	1	1	1	
	电流互感器LZZBJ9-12 Current transformer	2	3	3	3	2	
	电压互感器 Voltage transformer	RZL-10 2	RZL-10 2	RZL-10 2	RZL-10 2	REL-10 3	REL-10 3
	高压熔断器XRNP-10 High-voltage fuses	3	3	3	3	3	3
	接地开关JN15 Earthing switch			1			1
	避雷器HY5W□-17/50 Surge arrester	3			3		
回路名称 loop	电缆进线+PT PT & cable incoming feeder						
备注 Remarks	额定电流1600A及以上, 则柜宽为1000mm。额定电流为1250A以下的断路器柜, 柜宽可为650mm。 Panel width is 1000mm for rated current ≥ 1600A, Panel width is 650mm for rated current ≤ 1250A						

一次线路方案 Typical primary schemes

方案号 No.	37	38	39	40	41	42			
一次接线方案 Primary circuit scheme									
柜体尺寸(W×D×H) Dimension	800×1500×2300 1000	800×1500×2300 1000	800×1500×2300 1000	800×1500×2300 1000	800×1500×2300 1000	800×1500×2300 1000			
额定电流(A) Rated Current	630~3150								
一次主要设备元件 Main components	真空断路器(VD4或VS1) Vacuum Circuit Breaker	1							
	电流互感器LZZBJ9-12 Current transformer	2							
	电压互感器 Voltage transformer	REL-10	3	RZL-10	2	REL-10	3	RZL-10	2
	高压熔断器XRNP-10 High-voltage fuses	3		3		3		3	
	接地开关JN15 Earthing switch								
	避雷器HY5W□-17/50 Surge arrester	3				3		3	
回路名称 loop	电缆进线+PT PT & cable incoming feeder		电压测量 Voltage metering		电压测量+避雷器 Voltage metering & surge arrester				
备注 Remarks	额定电流1600A及以上，则柜宽为1000mm。额定电流为1250A以下的断路器柜，柜宽可为650mm。 Panel width is 1000mm for rated current ≥ 1600A, Panel width is 650mm for rated current ≤ 1250A								

方案号 No.	43	44	45	46	47	48							
一次接线方案 Primary circuit scheme													
柜体尺寸(W×D×H) Dimension	800×1500×2300 1000	800×1500×2300 1000	800×1500×2300 1000	800×1500×2300 1000	800×1500×2300 1000	800×1500×2300 1000							
额定电流(A) Rated Current	630~3150												
一次主要设备元件 Main components	电压互感器 Voltage transformer	REL-10	3	RZL-10	2	RZL-10	2	REL-10	3	REL-10	3	RZL-10	2
	高压熔断器XRNP-10 High-voltage fuses	3		3		3		3		3		3	
	接地开关JN15 Earthing switch												
	避雷器HY5W□-17/50 Surge arrester	3										3	
回路名称 loop	电压测量+避雷器 Voltage metering & surge arrester		电压测量+母联 Voltage metering & busbar riser				电压测量+避雷器+母联 Voltage metering + surge arrester + busbar riser						
备注 Remarks	额定电流1600A及以上，则柜宽为1000mm。额定电流为1250A以下的断路器柜，柜宽可为650mm。 Panel width is 1000mm for rated current ≥ 1600A, Panel width is 650mm for rated current ≤ 1250A												

KYN28A-12

一次线路方案 Typical primary schemes

方案号 No.	49	50	51	52	53	54				
一次接线方案 Primary circuit scheme										
柜体尺寸(W×D×H) Dimension	800 1000×1500×2300	800 1000×1500×2300	800 1000×1500×2300	800 1000×1500×2300	800 1000×1500×2300	800 1000×1500×2300				
额定电流(A) Rated Current	630~3150									
一次主要设备元件 Main components	电压互感器 Voltage transformer	RZL-10	2	REL-10	3	REL-10	3			
	高压熔断器XRNP-10 High-voltage fuses	3		3		3				
	接地开关JN15 Earthing switch									
	避雷器HY5W□-17/50 Surge arrester	3		3		3				
回路名称 loop	电压测量+避雷器+母联 Voltage metering + surge arrester + busbar riser			母联 Busbar riser		隔离 DS riser				
备注 Remarks	额定电流1600A及以上，则柜宽为1000mm。额定电流为1250A以下的断路器柜，柜宽可为650mm。 Panel width is 1000mm for rated current ≥ 1600A, Panel width is 650mm for rated current ≤ 1250A									

方案号 No.	55	56	57	58	59	60			
一次接线方案 Primary circuit scheme									
柜体尺寸(W×D×H) Dimension	800 1000×1500×2300	800 1000×1500×2300	800 1000×1500×2300	800 1000×1500×2300	800 1000×1500×2300	800 1000×1500×2300			
额定电流(A) Rated Current	630~3150								
一次主要设备元件 Main components	电压互感器 Voltage transformer			RZL-10	2	RZL-10	2		
	高压熔断器XRNP-10 High-voltage fuses			3		3			
	接地开关JN15 Earthing switch								
	避雷器HY5W□-17/50 Surge arrester							1	
回路名称 loop	隔离+联络(左) DS riser & left communicating	隔离+联络(右) DS riser & right communicating	隔离+联络(左) +电压测量 DS riser + left communicating +voltage metering	隔离+联络(右) +电压测量 DS riser + right communicating +voltage metering	出线变相 Outgoing phase				
备注 Remarks	额定电流1600A及以上，则柜宽为1000mm。额定电流为1250A以下的断路器柜，柜宽可为650mm。 Panel width is 1000mm for rated current ≥ 1600A, Panel width is 650mm for rated current ≤ 1250A								

一次线路方案 Typical primary schemes

方案号 No.	61	62	63	64	65	66	
一次接线方案 Primary circuit scheme							
柜体尺寸(W×D×H) Dimension	800 1000 × 1500 × 2300	800 1000 × 1500 × 2300	800 1000 × 1500 × 2300	800 1000 × 1500 × 2300	800 1000 × 1500 × 2300	800 1000 × 1500 × 2300	
额定电流(A) Rated Current	630~3150						
一次主要设备元件 Main components	电流互感器LZZBJ9-12 Current transformer	2	2	3	3	2	2
	电压互感器 Voltage transformer	RZL-10 2	RZL-10 2	RZL-10 2	RZL-10 2	REL-10 3	REL-10 3
	高压熔断器XRNP-10 High-voltage fuses	3	3	3	3	3	3
	接地开关JN15 Earthing switch						
	避雷器HY5W□-17/50 Surge arrester						
回路名称 loop	计量+左联 Metering & left communicating	计量+右联 Metering & right communicating	计量+左联 Metering & left communicating	计量+右联 Metering & right communicating	计量+左联 Metering & left communicating	计量+右联 Metering & right communicating	
备注 Remarks	额定电流1600A及以上, 则柜宽为1000mm。额定电流为1250A以下的断路器柜, 柜宽可为650mm。 Panel width is 1000mm for rated current ≥ 1600A, Panel width is 650mm for rated current ≤ 1250A						

方案号 No.	67	68	69	70	71	72	
一次接线方案 Primary circuit scheme							
柜体尺寸(W×D×H) Dimension	800 1000 × 1500 × 2300	800 1000 × 1500 × 2300	800 1000 × 1500 × 2300	800 1000 × 1500 × 2300	800 1000 × 1500 × 2300	800 1000 × 1500 × 2300	
额定电流(A) Rated Current	630~3150						
一次主要设备元件 Main components	真空断路器(VD4或VS1) Vacuum Circuit Breaker			1	1		
	电流互感器LZZBJ9-12 Current transformer	3	3	2	2	2	2
	电压互感器 Voltage transformer	REL-10 3	REL-10 3	RZL-10 2	RZL-10 2	RZL-10 2	RZL-10 2
	高压熔断器XRNP-10 High-voltage fuses	3	3	3	3	3	3
	接地开关JN15 Earthing switch						
避雷器HY5W□-17/50 Surge arrester							
回路名称 loop	计量+左联 Metering & left communicating	计量+右联 Metering & right communicating	进线+计量 Incoming & metering	进线+计量 Incoming & metering	进线+计量 Incoming & metering	进线+计量 Incoming & metering	
备注 Remarks	额定电流1600A及以上, 则柜宽为1000mm。额定电流为1250A以下的断路器柜, 柜宽可为650mm。 Panel width is 1000mm for rated current ≥ 1600A, Panel width is 650mm for rated current ≤ 1250A						

一次线路方案 Typical primary schemes

方案号 No.	73	74	75	76	77	78	
一次接线方案 Primary circuit scheme							
柜体尺寸(W×D×H) Dimension	800 1000×1500×2300	800 1000×1500×2300	800 1000×1500×2300	800 1000×1500×2300	800 1000×1500×2300	800 1000×1500×2300	
额定电流(A) Rated Current	630~3150						
一次主要设备元件 Main components	真空断路器(VD4或VS1) Vacuum Circuit Breaker	1	1				
	电流互感器LZZBJ9-12 Current transformer	3	3	3	3		
	电压互感器 Voltage transformer	RZL-10 2	RZL-10 2	RZL-10 2	RZL-10 2		
	高压熔断器XRNP-10 High-voltage fuses	3	3	3	3	RN3-10	3
	接地开关JN15 Earthing switch						
	避雷器HY5W□-17/50 Surge arrester					3	3
	变压器 Transformer					1	
电容器 Capacitors						3	
回路名称 loop	进线+计量+左联 Incoming + metering+left communicating	进线+计量+右联 Incoming + metering+right communicating	进线+计量+左联 Incoming + metering+left communicating	进线+计量+右联 Incoming + metering+right communicating	所用变 Transformer	电容器柜 Capacitors panel	
备注 Remarks	额定电流1600A及以上，则柜宽为1000mm。额定电流为1250A以下的断路器柜，柜宽可为650mm。 Panel width is 1000mm for rated current ≥ 1600A, Panel width is 650mm for rated current ≤ 1250A						

典型组合方案示例 Application Schemes

